



SWARA

CONSULTING SERVICES INC.

DETAILING OF PEB ENGINEERING

(PRE-ENGINEERED BUILDING)

ENGINEERING



Introduction:

Welcome to Swara Consulting Services Inc., your partner in creating exceptional engineering solutions. We take pride in our commitment to excellence, innovation, and reliability.



Our Mission:

Empowering projects with engineering expertise that translates your organization's brand promise into positive, profitable, and predictable customer experiences across the globe.



Our Vision:

To be thought leaders in customer and service experience in 'Definition, Implementation, and Management,' aiming to become the preferred partner for our target customer segments in all Engineering Sectors & Industries.

Core Values:

Founded on a vision of engineering excellence,

Swara Consulting Services Inc. has a rich history of delivering outstanding engineering solutions. Our core values drive us.



Outstanding People: We are dedicated to maximizing contributions, seeking personal growth, and effective collaboration.

Customer Driven: Prioritizing customer needs, we build business-focused relationships through clear communication.



Winning Performance: We focus on results, delivering objectives, going the extra mile, and producing high-quality work on time.

Innovation in Action: We create lasting solutions, seek process improvements, and show flexibility in thought.



Fully Integrated: We champion causes, build networks, overcome barriers, and involve others to deliver customer satisfaction.

Our leadership team embodies these values, bringing their expertise and passion to every project.

Services Overview:

At Swara Consulting Services Inc., we offer a comprehensive range of engineering services that cater to diverse industries and project complexities. Our services are categorized into various domains, each backed by our commitment to excellence, innovation, and client satisfaction.

Pre-Engineered Building:

Unlock the future of construction with our Pre-Engineered Building solutions. Benefit from precision engineering, accelerated timelines, and cost-effective excellence. We prioritize sustainability, minimizing waste and contributing to eco-friendly construction practices. Choose innovation and efficiency for your projects.

Wood Engineering: Crafting with Nature's Beauty

We specialize in designing building components using wood for residential and commercial structures. Our wood engineering solutions enhance architectural beauty and structural integrity.

Detailing Services: Precision in Every Detail

Our detailing services cover a wide range of areas, including steel detailing for residential buildings, commercial buildings, industrial buildings, bridges, and more. Our meticulous detail drawings facilitate seamless fabrication and erection processes.

Structural Engineering: Creating Strong and Functional Structures

Our expertise in structural engineering spans from residential to industrial projects. We develop robust structures that can withstand external and internal forces while ensuring safety, longevity, and functionality.

Transmission tower:

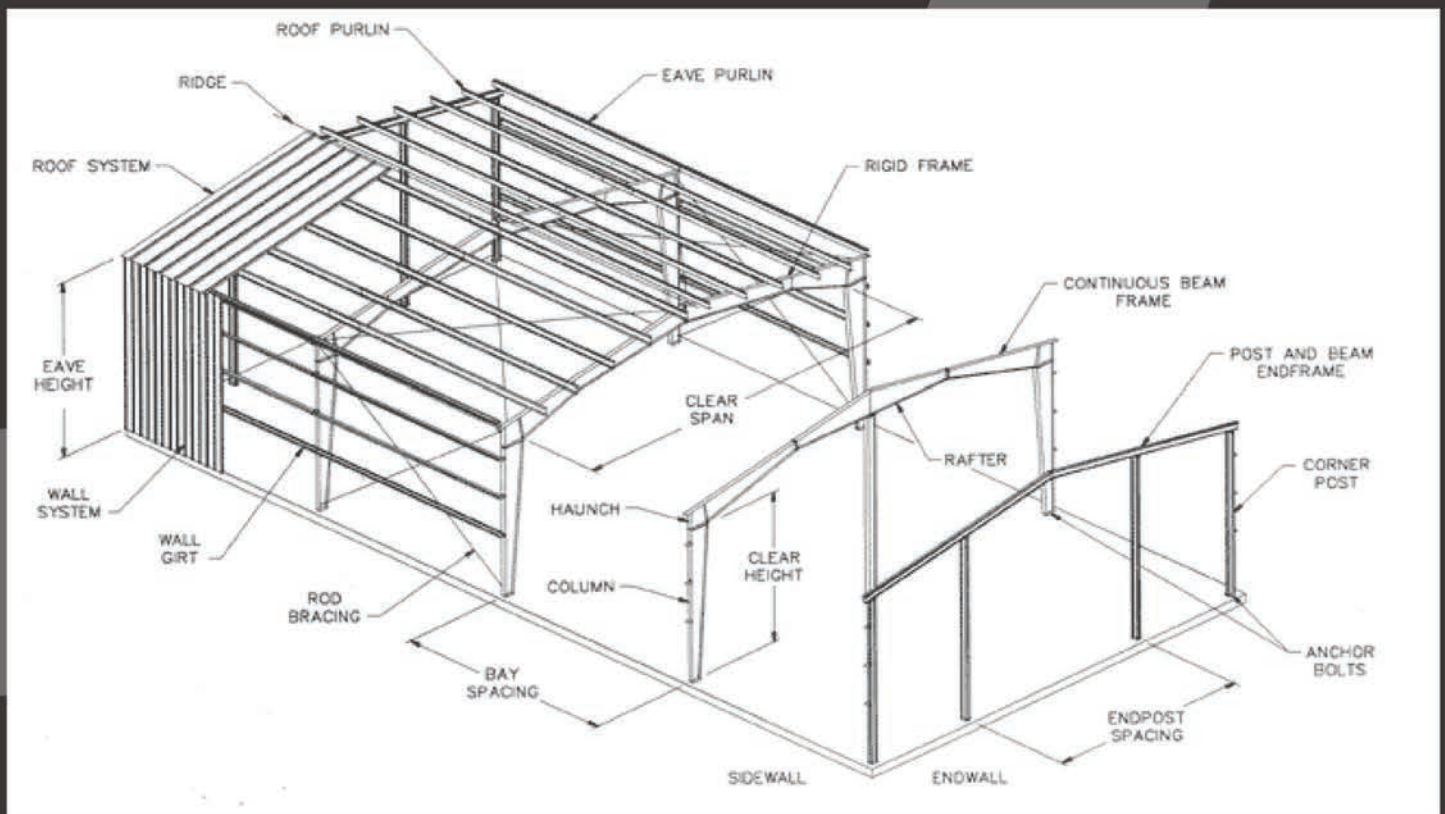
Empower connectivity and reliability with our Transmission Tower solutions. Explore innovative designs, structural integrity, and efficient deployment. We leverage advanced technology to enhance tower performance, ensuring your communication infrastructure is at the forefront of efficiency and durability.

EPC (Engineering, Procurement & Construction): Seamlessly Executing Projects

We excel in providing end-to-end EPC services for sectors like power, steel, sugar, and more. Our comprehensive solutions ensure seamless project execution, from design and procurement to construction and commissioning.

Introduction of PEB

Swara Consulting Services Inc. offers a complete detailing package of Pre-Engineered Buildings. Since PEB is most popular concept of steel building due to its cost effectiveness, use of plated sections, advanced designed detailed components & ease of erection i.e. without welding and drilling at site.

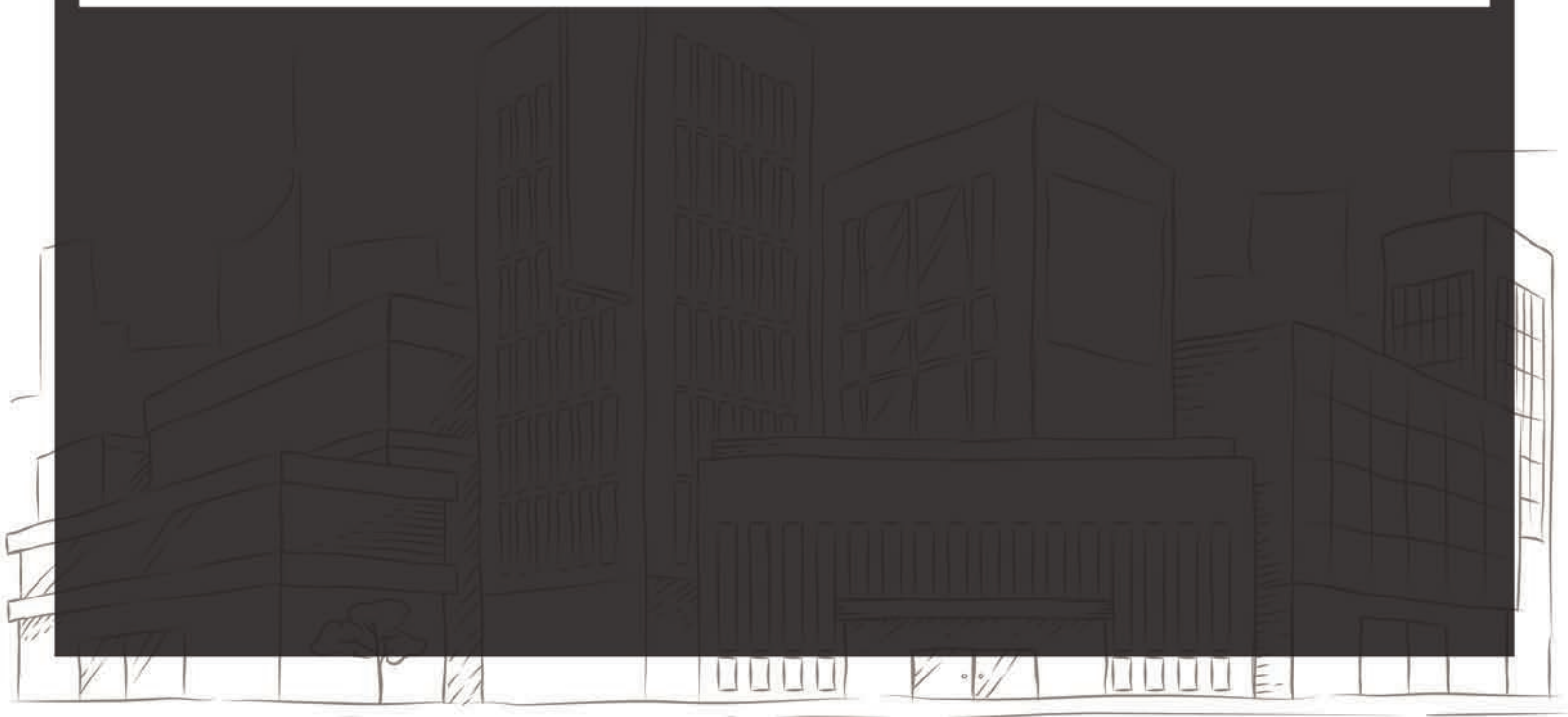
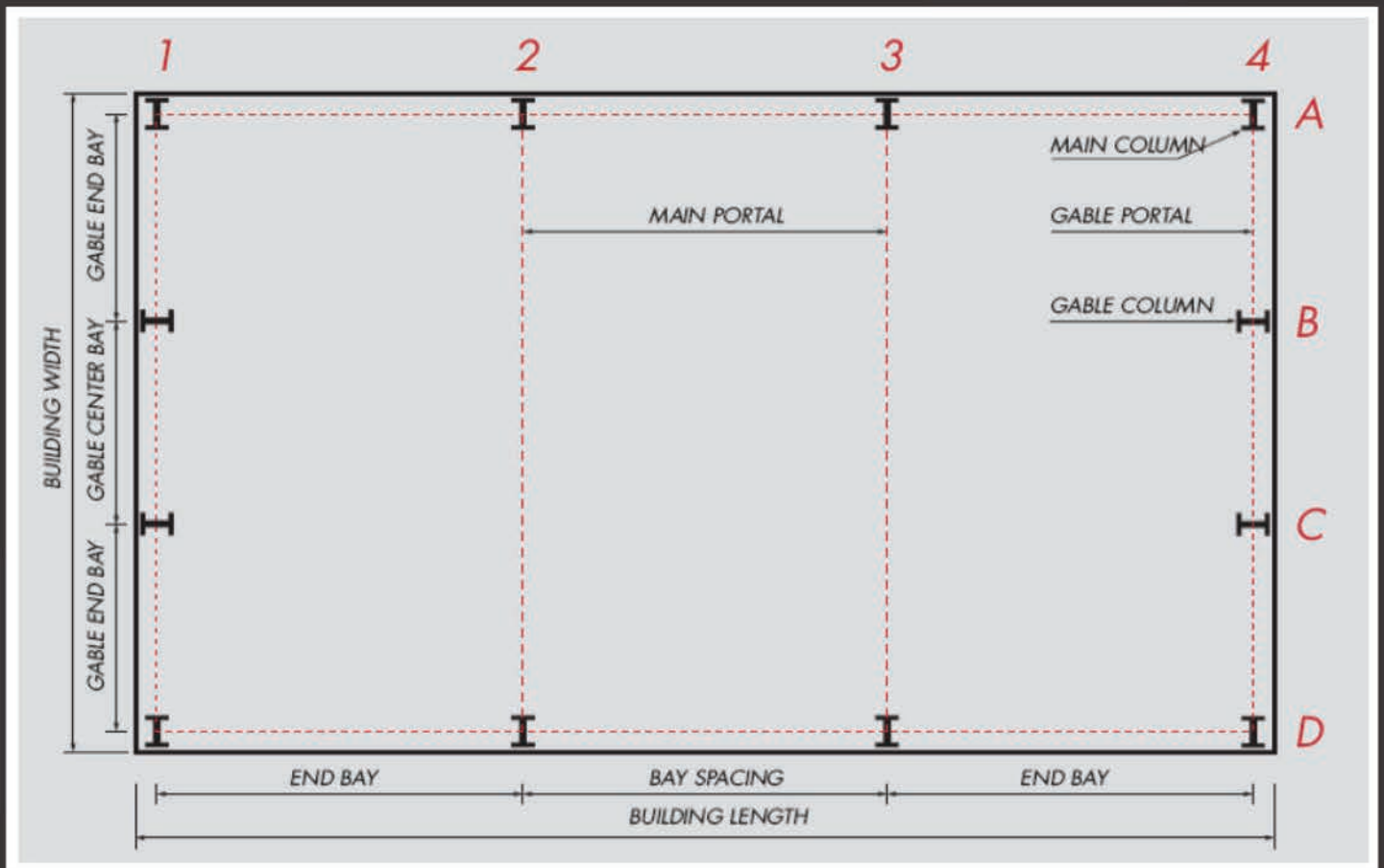


Our team having vast experience in the field. And we provides detailing solution on two softwares

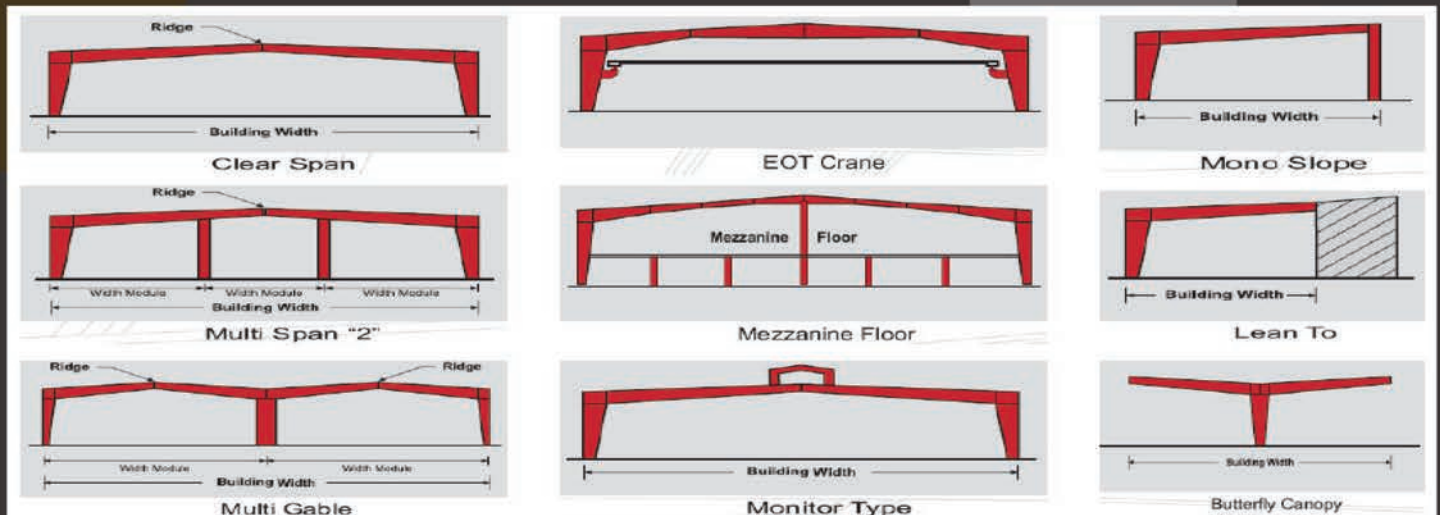
Auto CAD & TEKLA

Anchor bolt plan

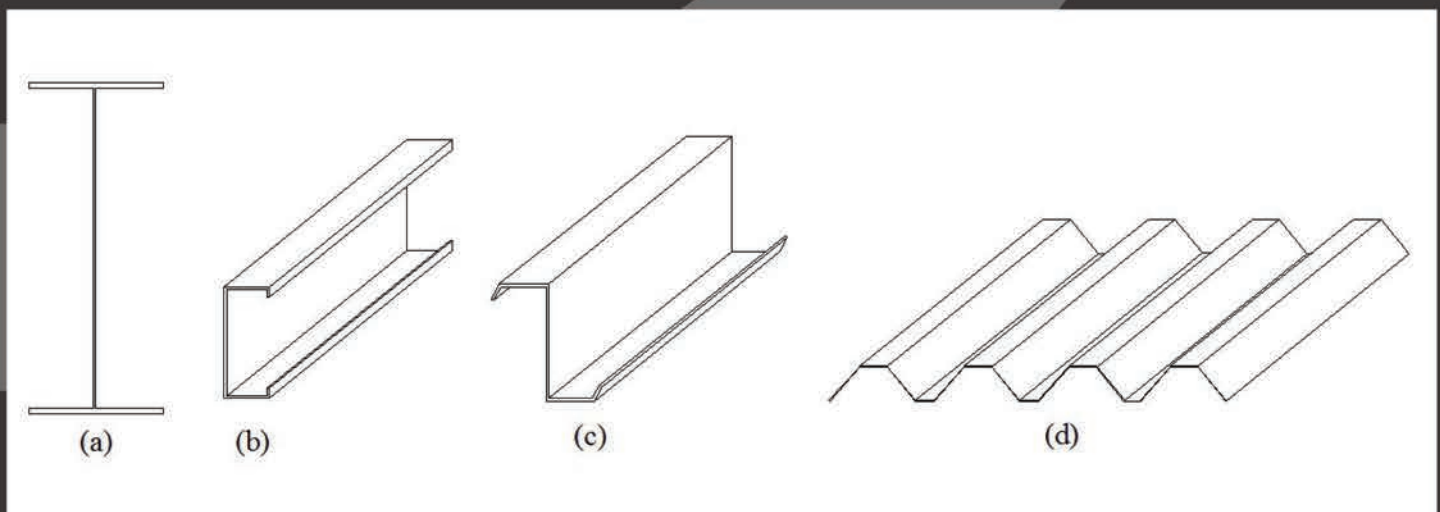
Our experience & skillset ensure precise, efficient execution of PEB projects, right from Anchor bolt plan setting to complete detailing package for projects as per client standards. Anchor bolt plan plays a vital role, and it provides column arrangements, orientations & size of building



Types of frames



We also focus on tapered sections with various Types of frames which makes structure cost effective. And also all three main categories which are



Primary Members: Plated "I" shaped section used for framing

Secondary Members: Cold formed "Z" & "C" members used for roof purlin & girts

Sheeting Members: Rolled formed profiled sheets used for roof and wall sheeting

PEB Sub-Structures & Application Sectors

Our specialization lies in detailing of various sub structure and accessories of PEB, where we excel in interpreting design intent drawings and converting them into shop drawings. We also offers comprehensive and accurate steel detailing for various types of commercial steel structures, including high-rise buildings.

PEB sub-structure & accessories

- Cranes
- Roof Monitor / Ridge Vent
- Framed / Window opening
- Sliding Door
- Fascia
- Louver
- Canopy
- Mezzanine
- Walkway
- Cage Ladder / Staircase
- Skylight

PEB Application Sectors....

- Warehouses
- Aviation & Military
- Industrial
- Commercial
- Recreational
- Institutional
- Automobile
- Agriculture



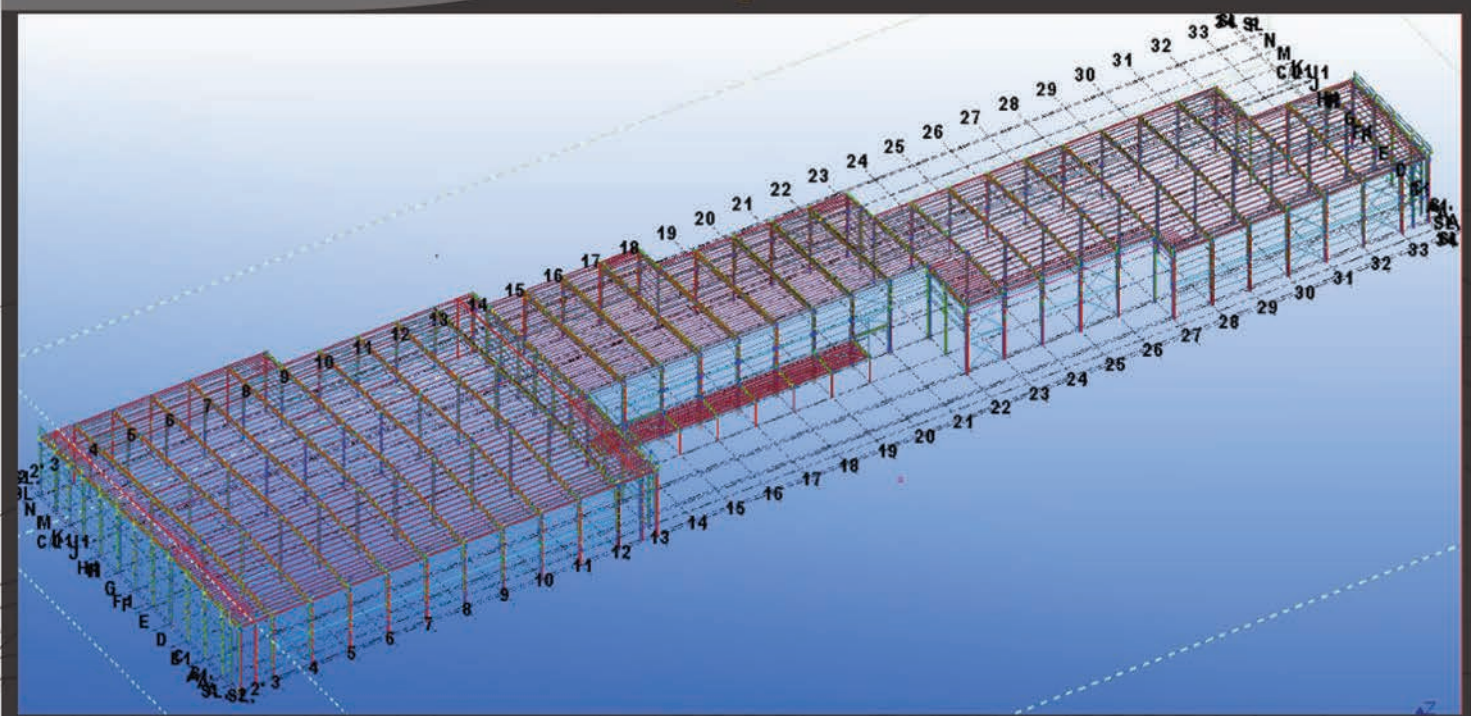
Experience & Services

We have our core team average experience of 20+ years. Our modeling team ensures error free model which enables 360 degree view of complicated connections & potential clashes. And ensures seamless coordination as well accurate interface between departments and concern stakeholders.

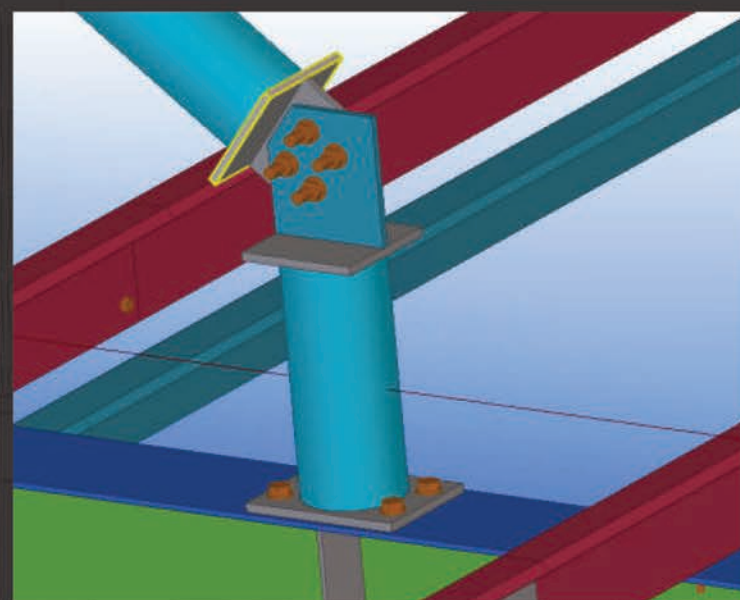
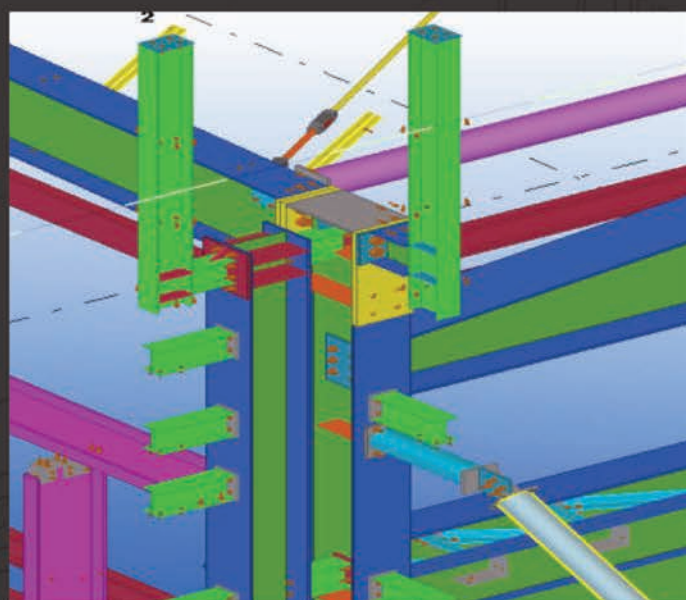
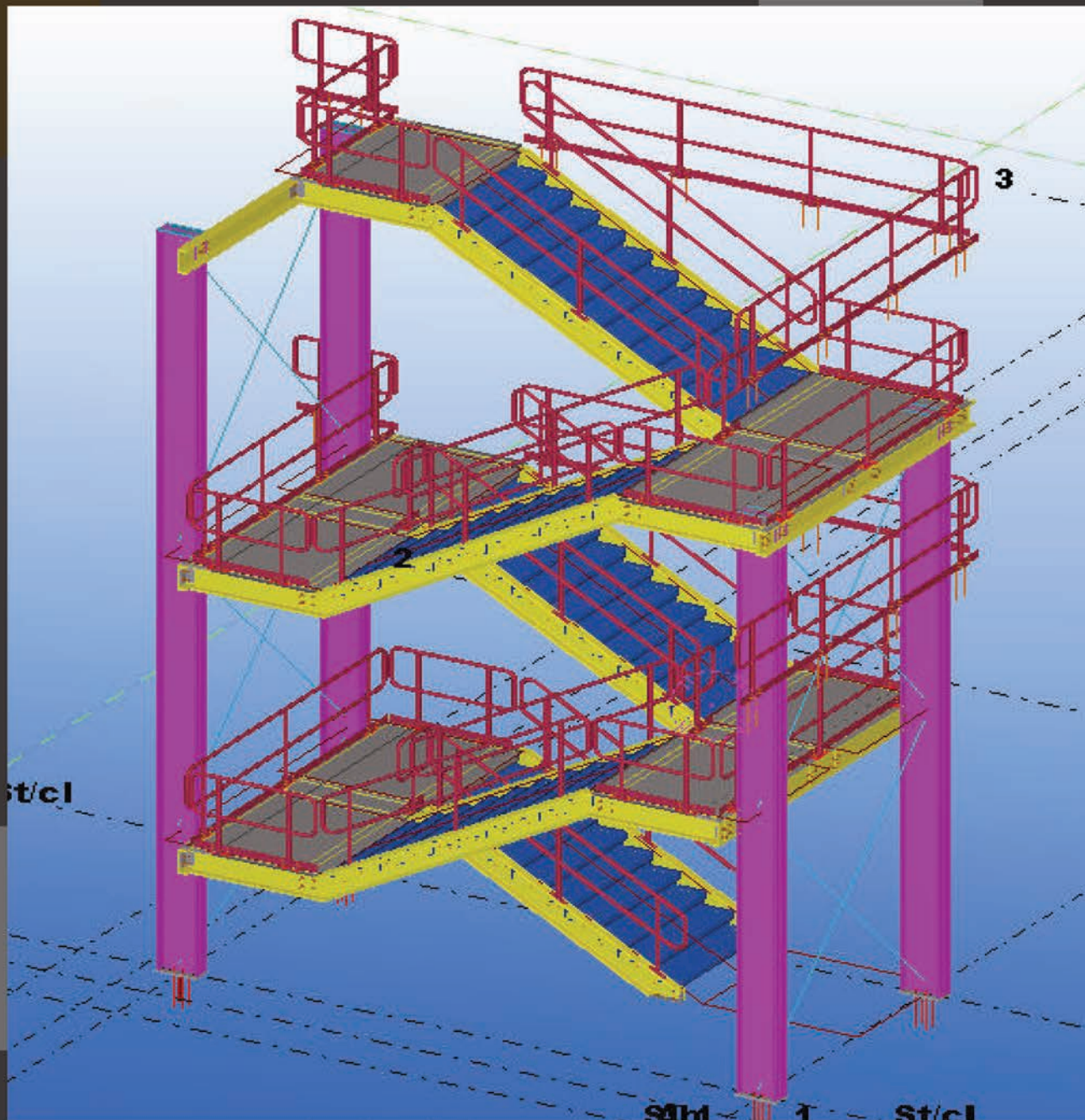
We offered

- **Detailing on AutoCAD**
(Package include shop sketches, Erection Drawings & BOM)
- **Detailing on TEKLA Structure**
(Package include shop sketches, Erection Drawings, NC files, DXF files , Kss Files , IFC files, BOM)
- **On Time Delivery of Error Free Package**
- **Detailing for both Imperial or Metric system**
- **Required technical support to our onshore & offshore customers**

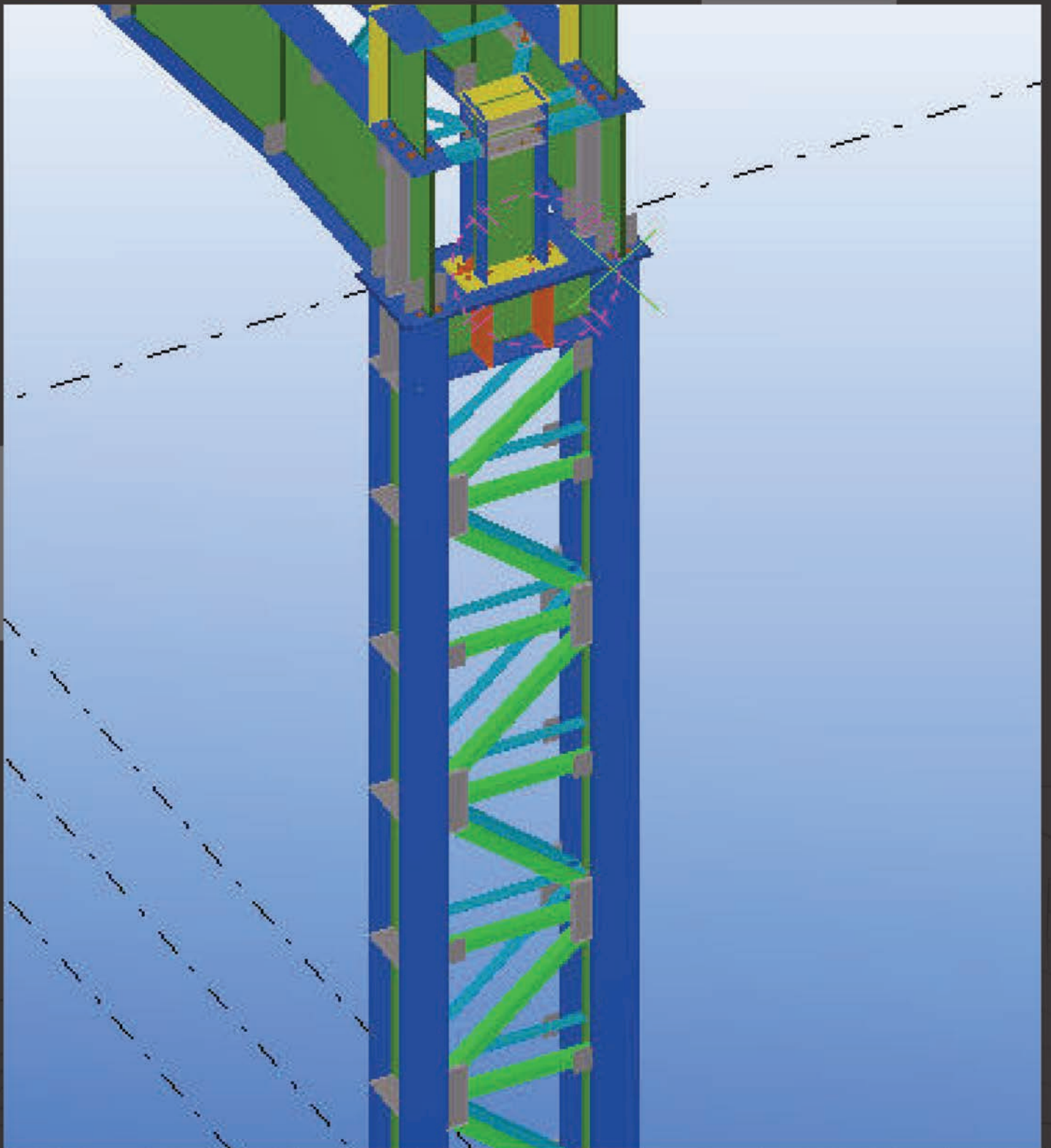
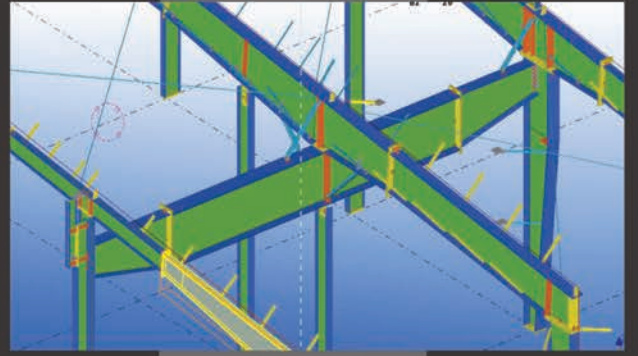
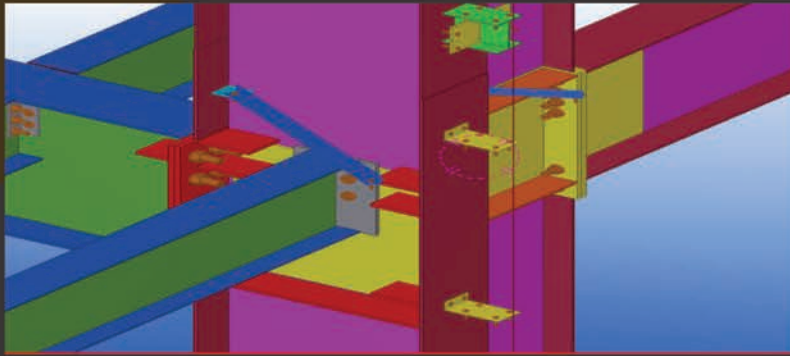
Tekla Model Samples



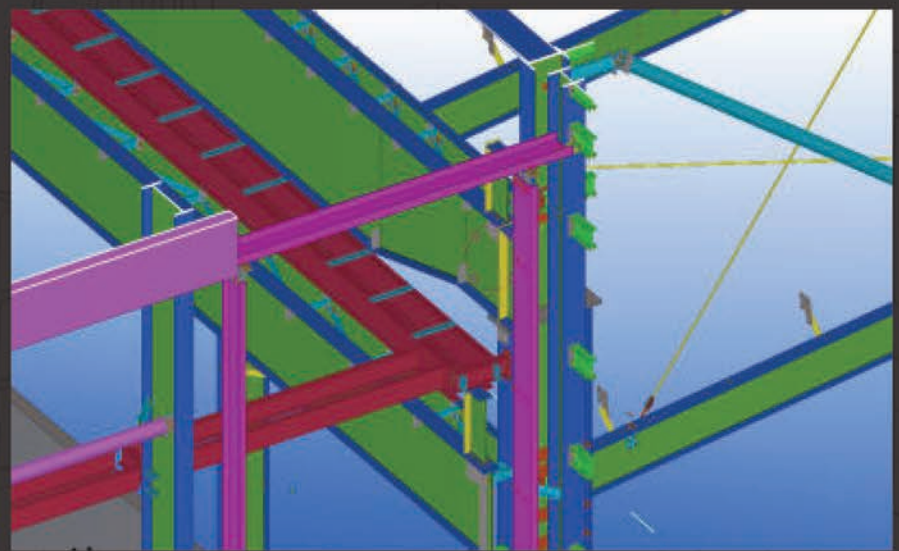
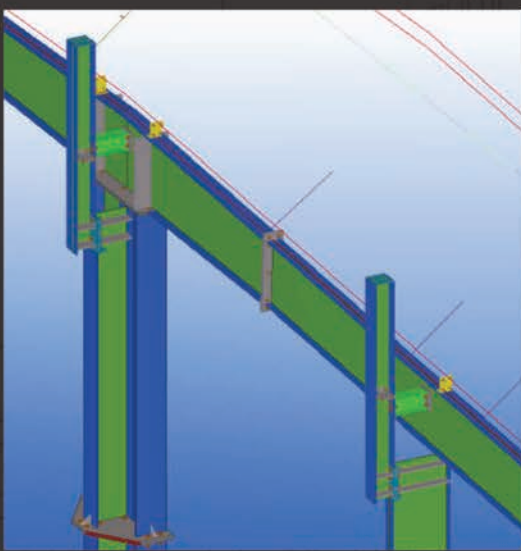
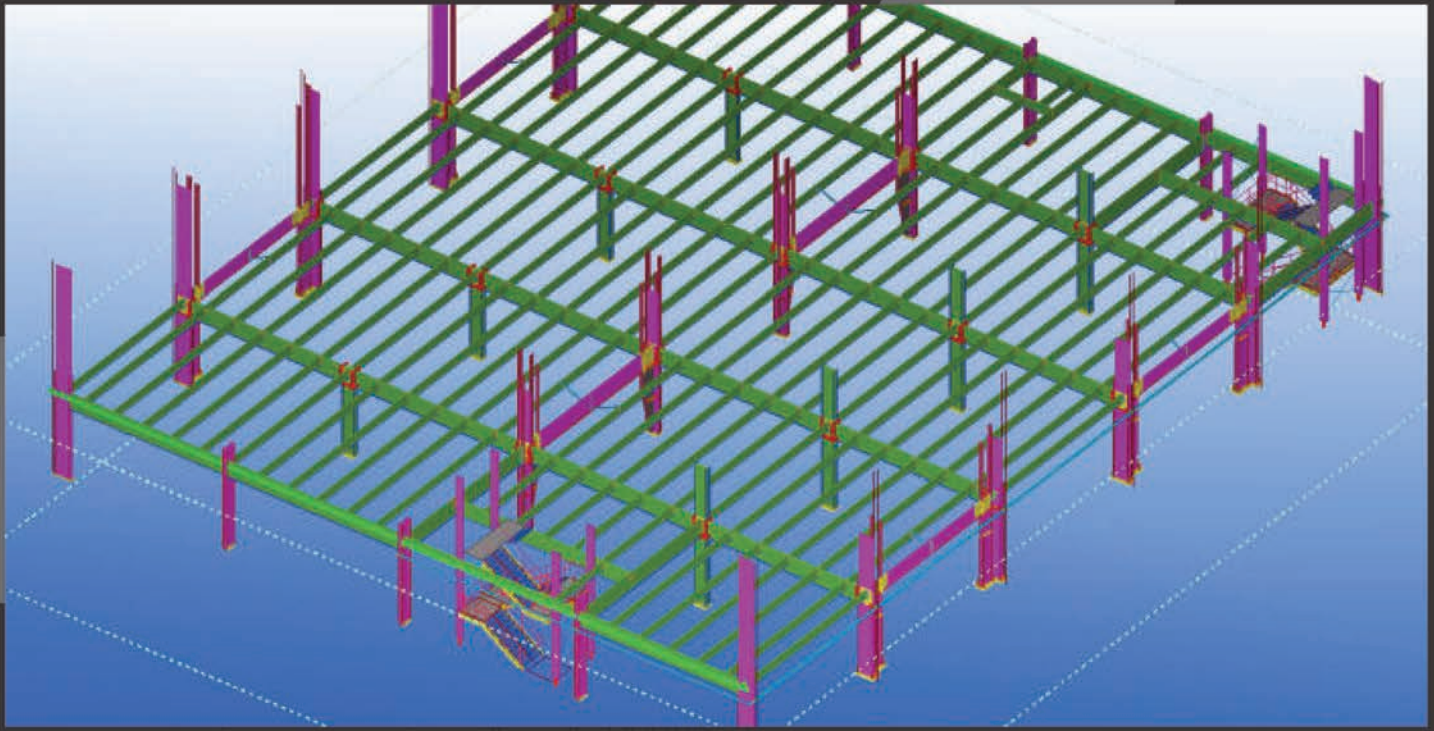
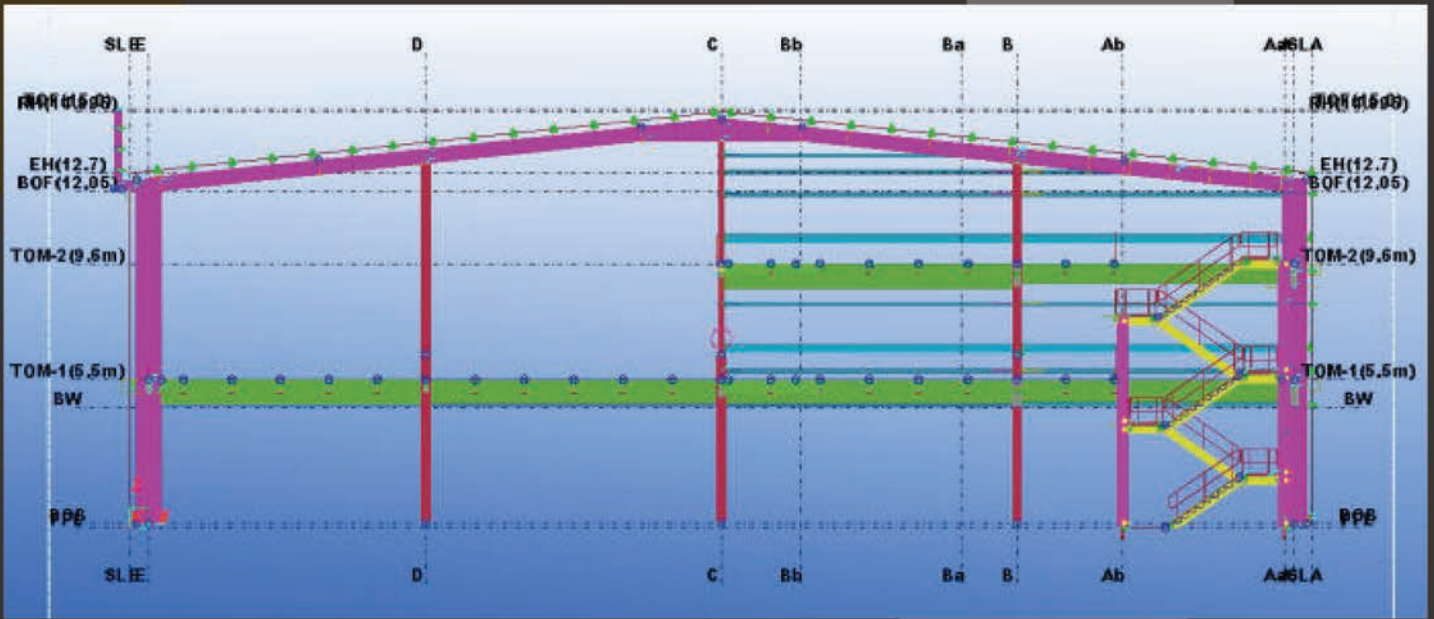
Tekla Model Samples



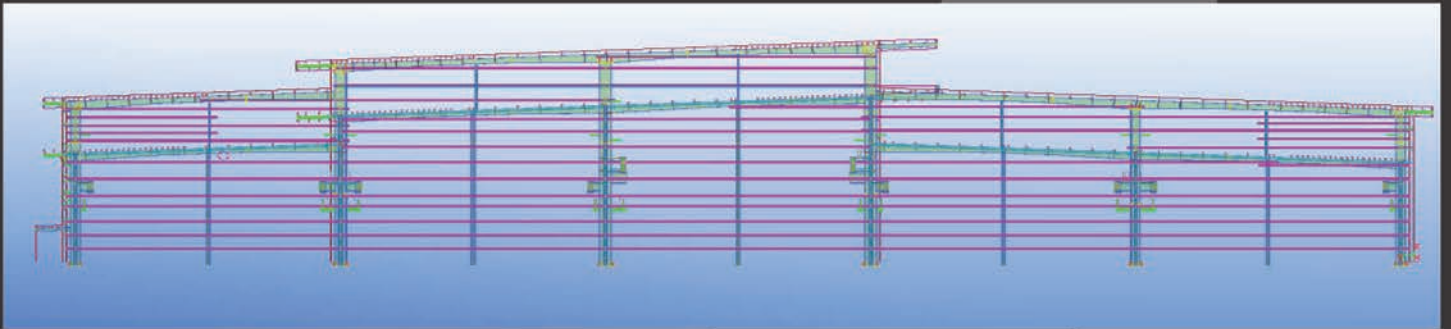
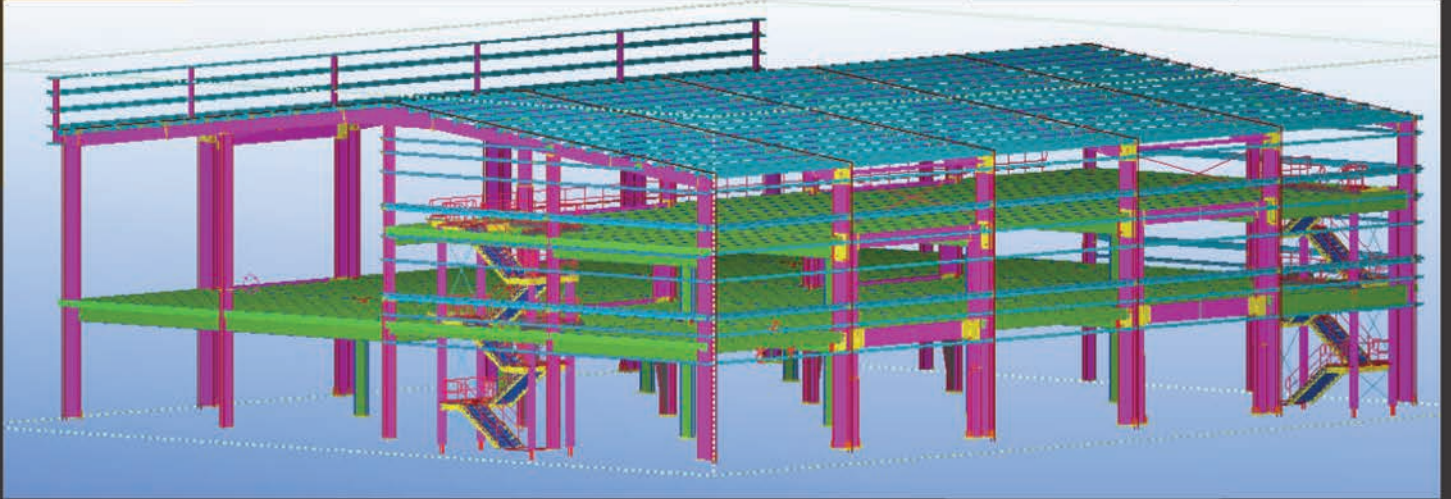
Tekla Model Samples



Tekla Model Samples



Tekla Model Samples



Contact Us:

Contact Swara Consulting Services Inc. to discuss your next project. Our dedicated team is ready to provide engineering expertise tailored to your needs. Reach out to us today:

Email: Rahul.Takhalate@swaracs.com

Mobile: (214) 856 1075

Address: Swara Consulting Services Inc.
3801 N Capital of Texas Hwy
Ste E240-3727
Austin, TX 78746

We look forward to collaborating with you to empower your projects with Engineering Excellence.